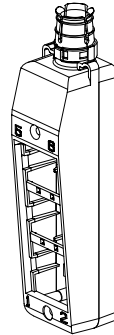
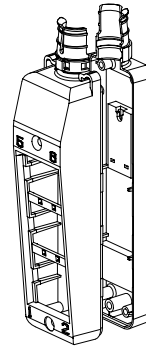
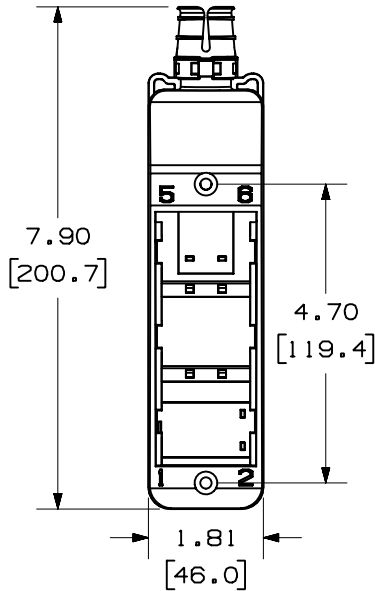
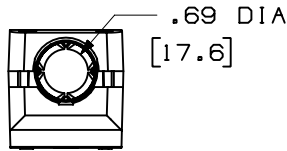


THIS COPY IS PROVIDED ON A RESTRICTED BASIS AND IS NOT TO BE USED IN ANY WAY DETRIMENTAL TO THE INTERESTS OF PANDUIT CORP.



PANDUIT P/N	WEIGHT
CM6P**	2.06 LB/10 PCS (933.5 g/10 PCS)

NOTES:

- SEE CURRENT CATALOG FOR ADDITIONAL PART NUMBER SUFFIXES TO INDICATE COLOR AND OR PACKAGE QUANTITY.
- SEE CATALOG FOR COMPLETE LIST OF PARTS APPLICABLE FOR USE WITH THIS PART.
- DIMENSIONS IN PARENTHESES ARE IN METRIC.
- PART INCLUDES:
 - 1- BASE
 - 1- COVER
 - 4- MOUNTING SCREW (USED TO SECURE COVER TO BASE)
 - 2- CABLE TIE
 - 1- HEAT SHRINK TUBING
 - 2- ADHESIVE TAPE

*ACCEPTS 3 1/2 SLOPED INSERTS, NOT INCLUDED

MODEL FILENAME	MO2090AA_MUTOA_SLPD_06.PRT	SIZE	A
DRAWING FILENAME	MO2090AA_DC_06B.PRT		

MINI-COM MUTOA 6 POSITION BOX
CUSTOMER DRAWING

<p>PANDUIT™ CORP. TINLEY PARK, ILL 60477</p>	I.I. NUMBER	N/A
	PRODUCT SPEC	N/A
<p>THIRD ANGLE PROJECTION</p>	WORK INSTRUCTION	N/A
	SCALE	NONE
<p>ALL DIMENSIONS ARE GIVEN IN INCHES, UNLESS OTHERWISE SPECIFIED.</p> <p>DIMENSIONAL TOLERANCES ARE: (.X) ± (.XXX) ±.010(1.3) (.XX) ±.03(1.8) ANGLES ±</p>	PART NO.	CM6P**
<p>DRAWN BY: JsP</p> <p>DATE: 11-15-04</p> <p>CHK'D: EB</p>	MATERIAL:	PC
	DRAWING NO.	02090-03

REV	DATE	BY	CHK	DESCRIPTION	ECN	R	CUST	SUP	OTH
I	6-10-05	JsP		A. REVISED INCORRECT MATERIAL TYPE.	02090-03				
R	11-15-04	JsP	EB	RELEASED TO PRODUCTION	02090-03				